

Double Mount Housing for Round Clocks (V4.5)

Features:

- Connects two analog clocks for a double-sided time display
- Same mount can be used for a wall or ceiling installation
- Choose from 3 adjustable positions on the pole
- Reinforced ABS or Metal adapters and aluminum pole
- UL, cUL listed

Dimensions:

- Black Color
- Mounting Ring Diameter (does not include clock)
 - 12" (30.4 cm) Mounting Ring:
 - Standard = 12.4" (31.5 cm)
 - SlimLine = 12.5" (31.8 cm)
 - 16" (40.6 cm) Mounting Ring:
 - Standard = 16.3" (41.4 cm)
 - SlimLine = 16.4" (41.9 cm)
- Base Width = 5.7" (14.5 cm)
- Base Height = 6.6" (16.7 cm)

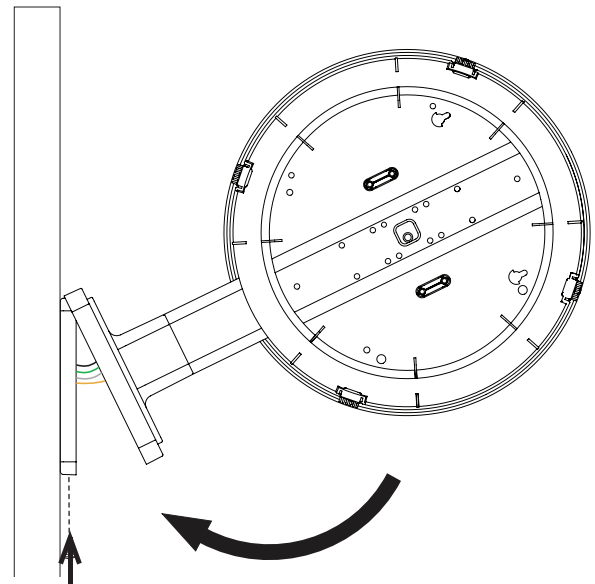
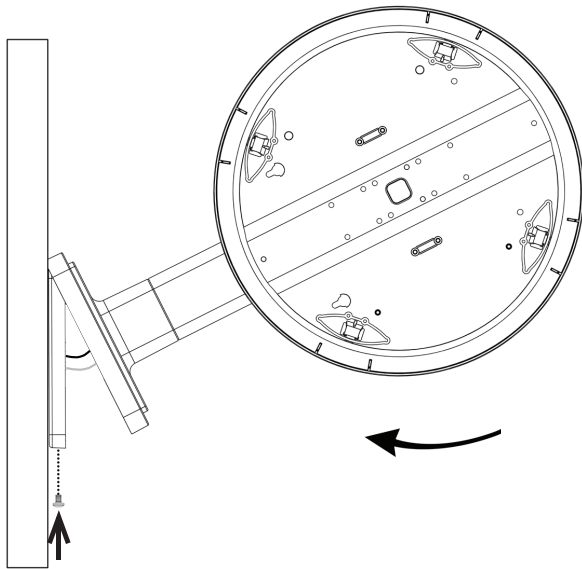


Same adapter is used for either a wall mount or ceiling mount

Specification sheets may change without prior notice

Double Mount Housing for Round Clocks (V4.5)

Design:



Mounting Ring for SlimLine and Aluminum Clocks

Mounting Ring for Standard ABS & Metal Clocks

Ordering Information:

SlimLine and Aluminum

Double Mount Housing: SAH-1XD-XXR-0

Color: B: Black C: Custom	Clock Size: 12: 12" 16: 16"
---------------------------------	-----------------------------------

Standard ABS & Metal

Double Mount Housing: SAB-XXD-XXR-0M

1: Metal Housing	Color: B: Black C: Custom	Clock Size: 12: 12"
OR		
4: ABS Housing	B: Black C: Custom	16: 16"

Note: Purchasing double mounted round analog clocks will require two clocks using the clock part number and one double mount housing using the part number above.

Examples:

SAB-4BD-12R-0M Sapling Double Mount Housing for 12" Metal Clocks

SAH-1BD-16R-0 Sapling Double Mount Housing for 16" SlimLine or Aluminum Clocks

Specification sheets may change without prior notice